

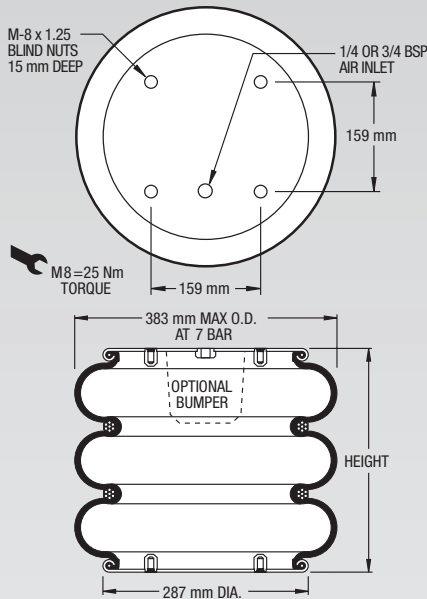
**NOTE: All Assembly Order Numbers are for bead plate parts unless noted otherwise.**

	Description	Assembly Order No.
Style 313	Blind nuts, 1/4 BSP	W01-M58-6120
	Blind nuts, 1/4 BSP, bumper	W01-M58-6121
	Blind nuts, 3/4 BSP	W01-M58-6122
Two Ply Bellows	Countersunk steel bead rings	W01-M58-7526
	40 mm bolts, nuts, washers	
	Rubber bellows only	

Assembly weight.....8.84 kg.

Force to collapse to minimum height (@ 0 BAR) 205 N.

Style	Description	Assembly Order No.
39	Blind nuts, 3/4 BSP	W01-M58-6130
High Strength Bellows	Countersunk steel bead rings	W01-M58-7534
	40 mm bolts, nuts, washers	

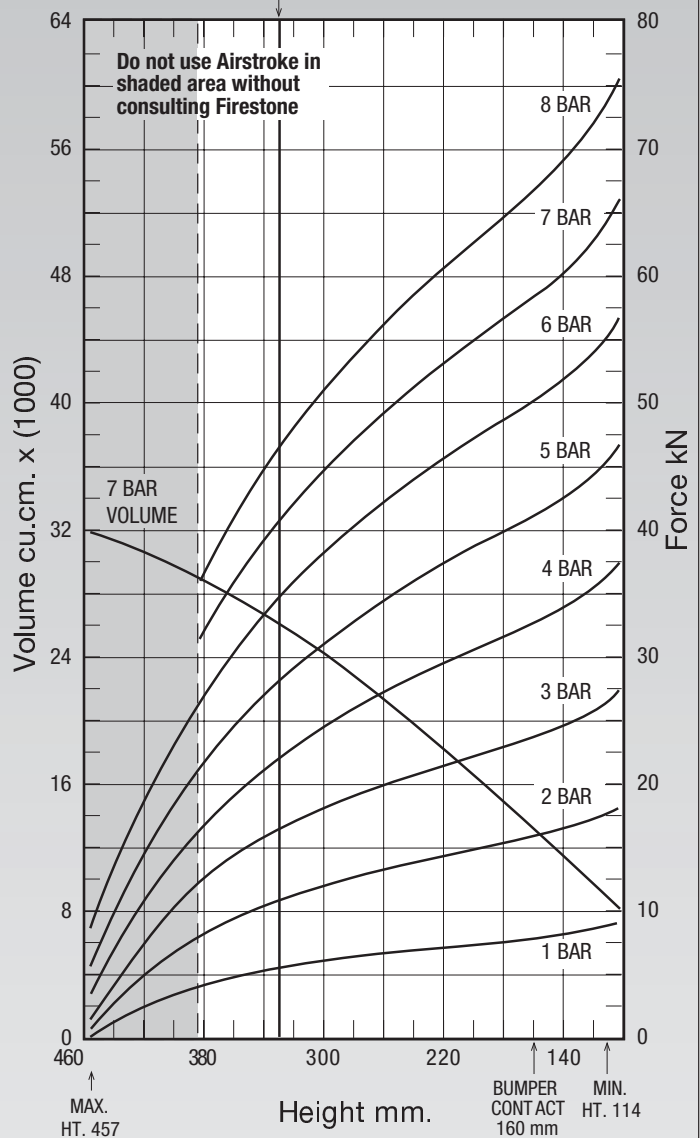


**NOTE: This part is also available with bead rings (rather than bead plates.) SEE PAGE 8.**

**Dynamic Characteristics at 330 mm Design Height**  
(Required for Airmount isolator design only)

Gauge Pressure (BAR)	Load (kN)	Spring Rate (kN/m)	Natural Frequency Hz
3	16.03	137	1.46
4	21.87	177	1.42
5	27.79	216	1.39
6	34.37	258	1.37
7	40.27	296	1.35

CONSULT FIRESTONE BEFORE USING AS AIRMOUNT  
RECOMMENDED AIRMOUNT DESIGN HEIGHT 330 mm.



See page 12 for instructions on how to use chart.

**Force Table (Use for Airstroke™ actuator design)**

Assembly Height (mm)	Volume @ 7 BAR (cu cm)	EFF Area @ 7 BAR (cm sq)	kN Force				
			@ 3 BAR	@ 4 BAR	@ 5 BAR	@ 6 BAR	@ 7 BAR
360	27730	507	13.81	18.98	24.25	30.20	35.45
320	25348	595	16.66	22.70	28.81	35.57	41.64
280	22676	666	18.89	25.65	32.47	39.90	46.59
240	19773	726	20.71	28.15	35.61	43.60	50.79
200	16583	778	22.22	30.33	38.33	46.80	54.44
160	13143	827	23.59	32.39	40.82	49.74	57.85
120	9602	890	25.58	35.07	44.05	53.55	62.29