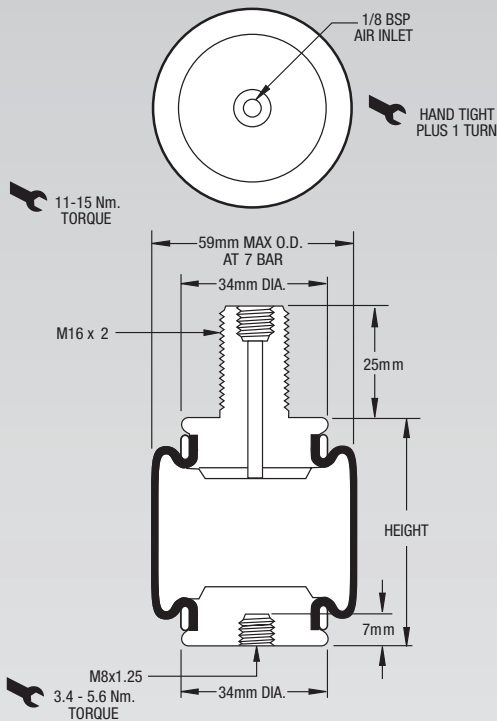


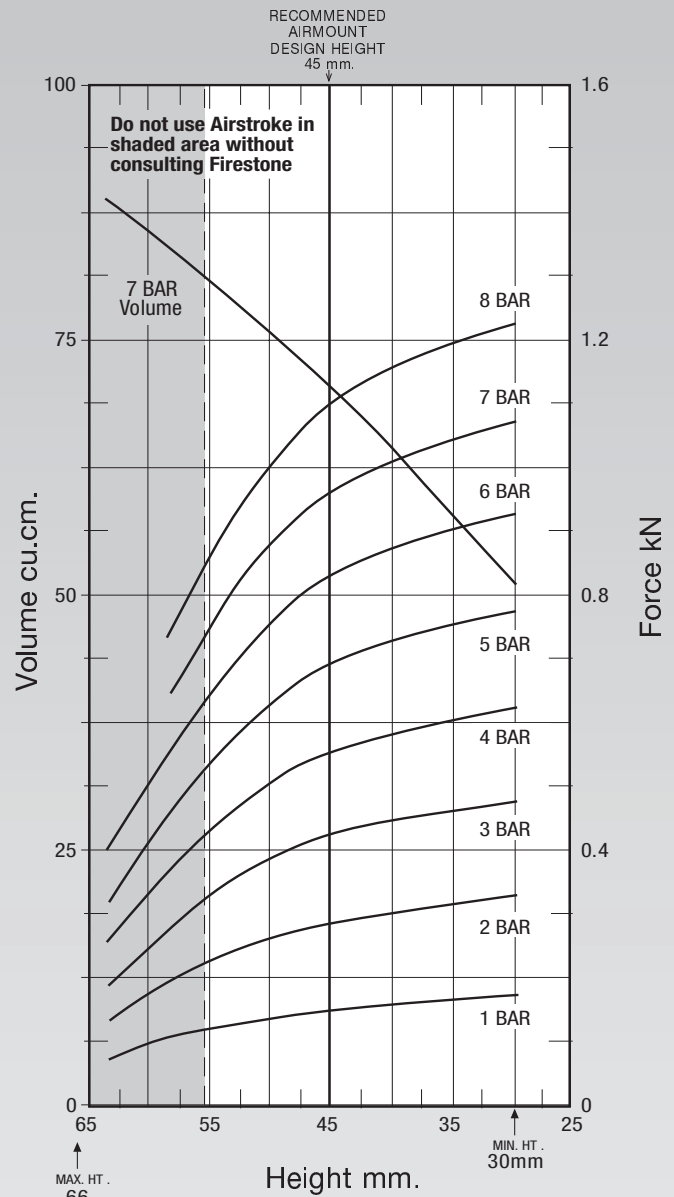
	Description	Assembly Order No.
Style 2M2A	Blind Nut, 1/8 BSP, plastic studs	W02-M58-3019
Two Ply Bellows		
Assembly weight.....		0.07 kg.
Force to collapse to minimum height (@ 0 BAR).....		22 N.



NOTE: This Airstroke actuator must be guided throughout the stroke.

NOTE: The 2M2A must be supported laterally when used as an isolator. Contact Firestone for use in isolation applications.

Dynamic Characteristics at 45 mm Design Height (Required for Airmount isolator design only)			
Gauge Pressure (BAR)	Load (kN)	Spring Rate (kN/m)	Natural Frequency Hz
3	0.42	18	3.27
4	0.55	23	3.23
5	0.68	29	3.25
6	0.82	34	3.22
7	0.95	39	3.20



See page 12 for instructions on how to use chart.

Force Table (Use for Airstroke™ actuator design)							
Assembly Height (mm)	Volume @ 7 BAR (cu cm)	EFF Area @ 7 BAR (cm**2)	kN Force				
			@ 3 BAR	@ 4 BAR	@ 5 BAR	@ 6 BAR	@ 7 BAR
55	80.30	10.4	0.32	0.41	0.52	0.62	0.73
45	70.46	13.6	0.42	0.55	0.68	0.82	0.95
35	58.99	14.8	0.45	0.60	0.75	0.90	1.04
25	40.56	15.6	0.49	0.64	0.79	0.94	1.09