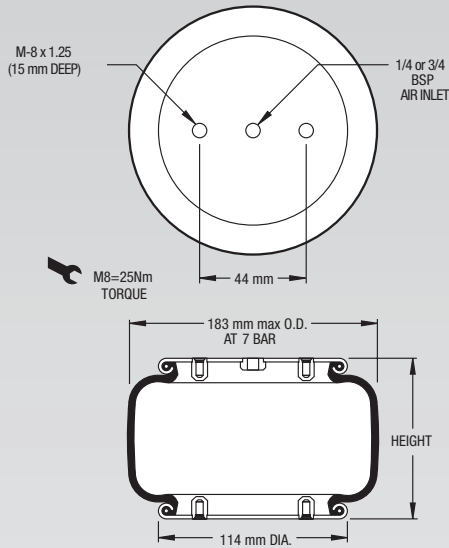
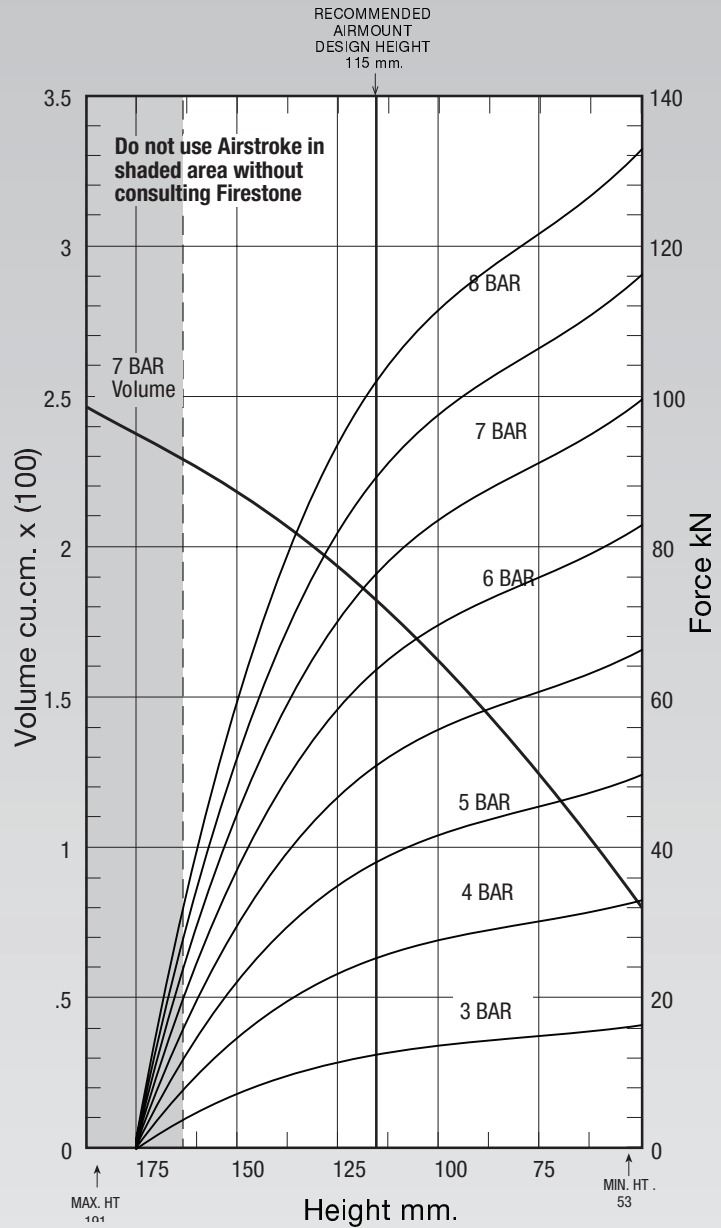


NOTE: All Assembly Order Numbers are for bead plate parts unless noted otherwise.

	Description	Assembly Order No.
Style 160	Blind nuts, 1/4 NPT	W01-358-7751
	Socket head aluminum bead rings (bolts, nuts, washers not included—use M6 cap screws)	W01-358-7592
Two Ply Bellows	Blind nuts, 3/4 NPT	W01-358-7752
Assembly weight.....		1.36 kg.
Force to collapse to minimum height (@ 0 BAR)		623 N.



NOTE: A bead plate part is shown. This part is also available with bead rings. Bolts are not included. See pages 8-10 for explanation.



See page 12 for instructions on how to use chart.

Dynamic Characteristics at 115 mm Design Height
(Required for Airmount isolator design only)

Gauge Pressure (BAR)	Load (kN)	Spring Rate (kN/m)	Natural Frequency Hz
4	4.8	57.26	2.22
5	6.0	81.25	2.12
6	7.1	105.25	2.07
7	8.3	129	2.02

Force Table (Use for Airstroke™ actuator design)

Assembly Height (mm)	Volume @ 7 BAR (cu cm)	EFF Area @ 7 BAR (cm ²)	kN Force				
			@ 3 BAR	@ 4 BAR	@ 5 BAR	@ 6 BAR	@ 7 BAR
130	2268	80	2.03	2.90	3.75	4.74	5.58
120	2167	103	2.76	3.86	4.95	6.14	7.18
110	2037	123	3.41	4.68	5.96	7.36	8.61
100	1898	140	3.92	5.34	6.78	8.36	9.78
90	1733	154	4.33	5.92	7.49	9.23	10.80
80	1568	166	4.64	6.39	8.08	9.94	11.62
70	1379	176	4.89	6.77	8.58	10.55	12.30
60	1198	184	5.09	7.05	8.97	11.03	12.85