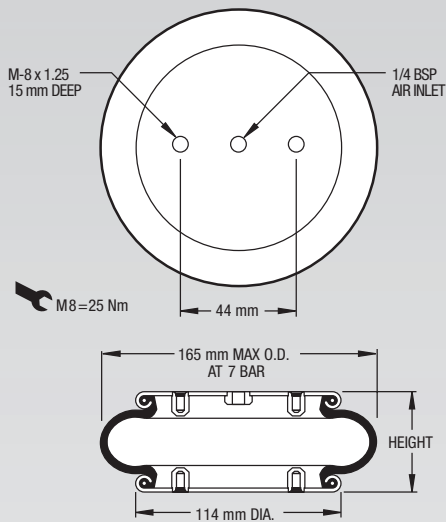
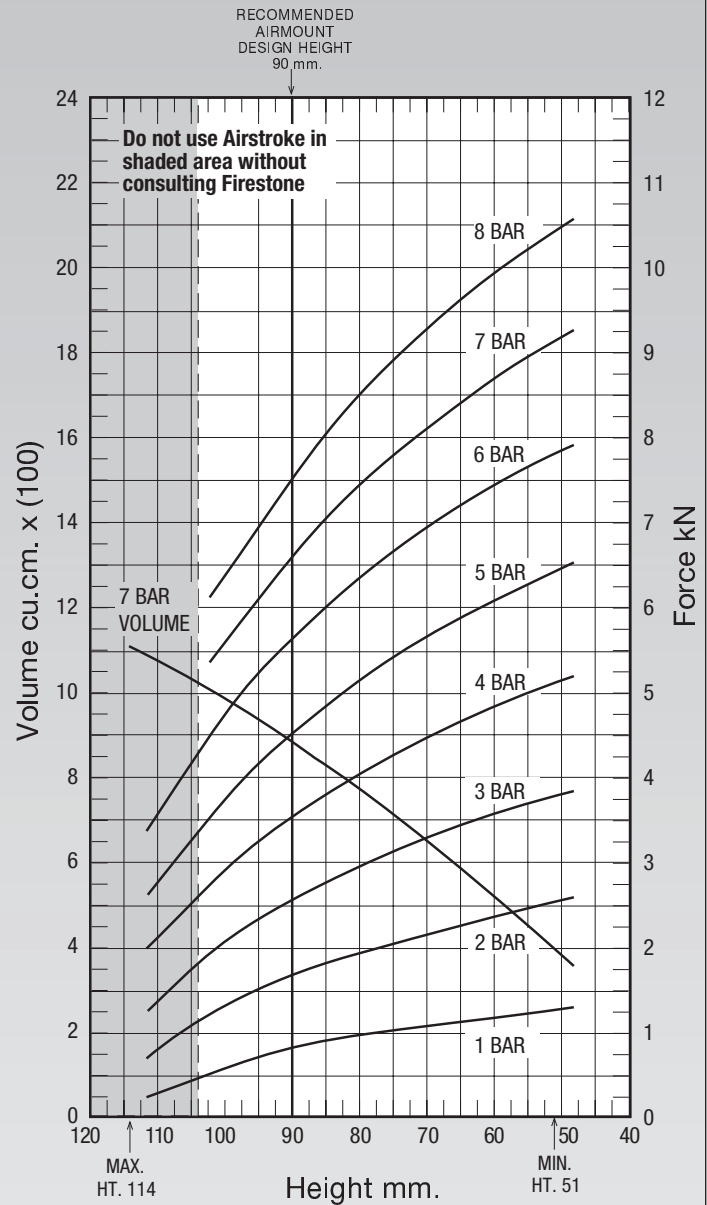


NOTE: All Assembly Order Numbers are for bead plate parts unless noted otherwise.

| | Description | Assembly Order No. |
|---|---|--------------------|
| Style 131 | Blind nuts, 1/4 BSP | W01-M58-6155 |
| Two Ply Bellows | Socket head aluminum bead rings (bolts, nuts, washers not included-use M6 cap screws) | W01-358-0127 |
| | Rubber bellows only | W01-358-0131 |
| Assembly weight..... | | 1.2 kg. |
| Force to collapse to minimum height (@ 0 BAR) | | 142 N. |



NOTE: A bead plate part is shown. This part is also available with bead rings. Bolts are not included. See pages 8-10 for explanation.



See page 12 for instructions on how to use chart.

| Gauge Pressure (BAR) | Load (kN) | Spring Rate (kN/m) | Natural Frequency Hz |
|----------------------|-----------|--------------------|----------------------|
| 3 | 2.50 | 103 | 3.20 |
| 4 | 3.51 | 133 | 3.07 |
| 5 | 4.48 | 162 | 3.00 |
| 6 | 5.57 | 193 | 2.93 |
| 7 | 6.54 | 221 | 2.90 |

| Assembly Height (mm) | Volume @ 7 BAR (cu cm) | EFF Area @ 7 BAR (cm**2) | kN Force | | | | |
|----------------------|------------------------|--------------------------|----------|---------|---------|---------|---------|
| | | | @ 3 BAR | @ 4 BAR | @ 5 BAR | @ 6 BAR | @ 7 BAR |
| 100 | 982 | 78 | 1.96 | 2.83 | 3.65 | 4.63 | 5.48 |
| 90 | 880 | 93 | 2.50 | 3.51 | 4.48 | 5.57 | 6.54 |
| 80 | 774 | 105 | 2.90 | 4.01 | 5.10 | 6.30 | 7.38 |
| 70 | 652 | 115 | 3.23 | 4.44 | 5.61 | 6.91 | 8.08 |
| 60 | 529 | 124 | 3.51 | 4.79 | 6.05 | 7.41 | 8.65 |