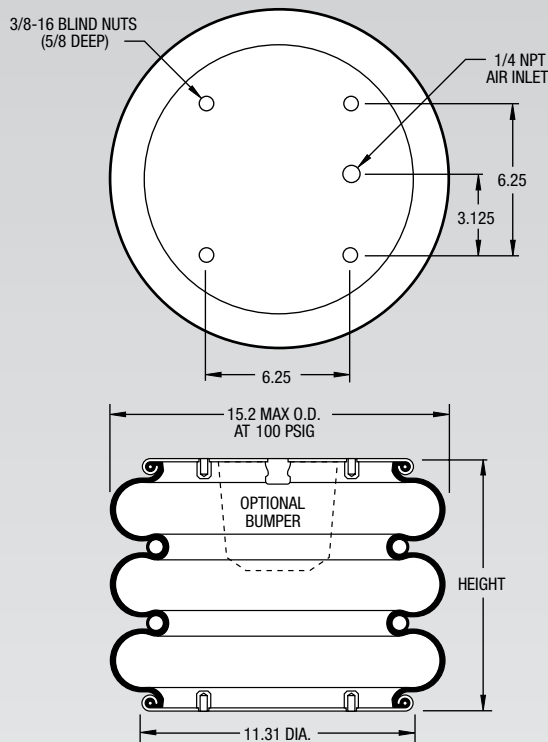
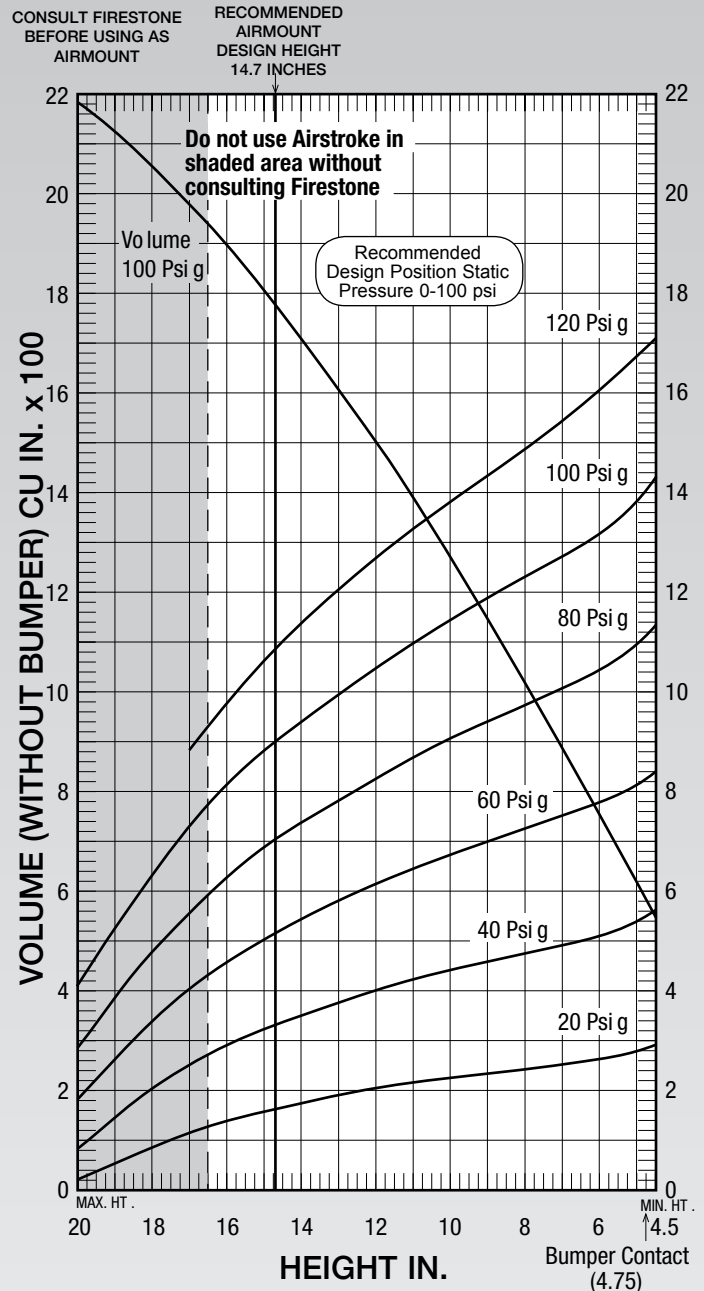


Description		Assembly Order No.
Style 333	Blind nuts, 1/4 NPT	W01-358-7845
	Blind nuts, 1/4 NPT, bumper	W01-358-7838
Two Ply Bellows	Blind nuts, 3/4 NPT	W01-358-7842
	Blind nuts, 3/4 NPT, bumper	W01-358-7849
	Countersunk steel bead ring 1 3/4 bolts, nuts, washers	W01-358-7830
	Rubber bellows only	W01-358-7019
Assembly weight		26.2 lbs.
Force to collapse to minimum height (@ 0 PSIG)...		65 lbs.



NOTE: A bead plate part is shown. This part is also available with bead rings. See pages 8-10 for explanation.



See page 12 for instructions on how to use chart.

Volume @ 100 PSIG = 1,786 in ³			Natural Frequency	
Gage Pressure (PSIG)	Load (lbs.)	Spring Rate (lbs./in.)	CPM	HZ
40	3,282	685	86	1.43
60	5,167	933	80	1.33
80	7,000	1,179	77	1.28
100	8,940	1,425	75	1.25

Assembly Height (in.)	Volume @ 100 PSIG (in ³)	Pounds Force				
		@20 PSIG	@40 PSIG	@60 PSIG	@80 PSIG	@100 PSIG
16.0	1,904	1,338	2,866	4,524	6,241	8,062
14.0	1,718	1,706	3,478	5,388	7,325	9,338
12.0	1,507	1,981	3,955	6,083	8,200	10,405
10.0	1,274	2,208	4,376	6,698	9,003	11,400
8.0	1,022	2,389	4,733	7,220	9,710	12,278
6.0	754	2,574	5,087	7,724	10,396	13,139
4.0	473	3,049	5,871	8,787	11,827	14,918