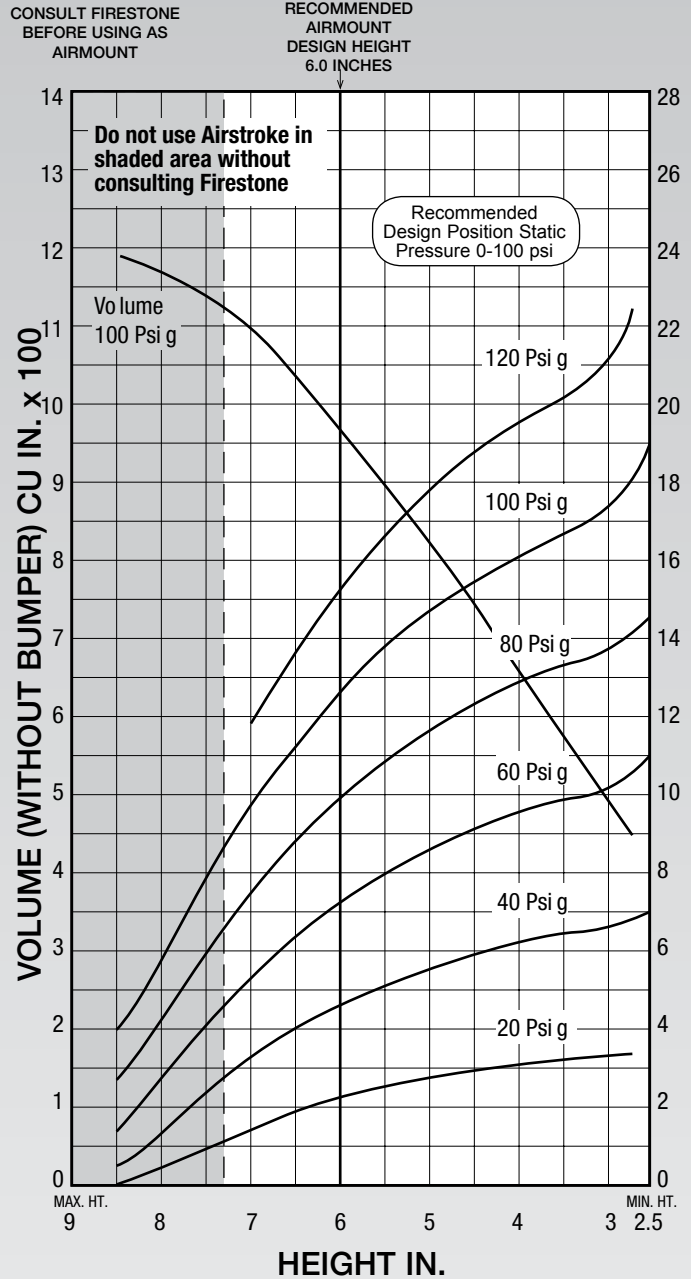
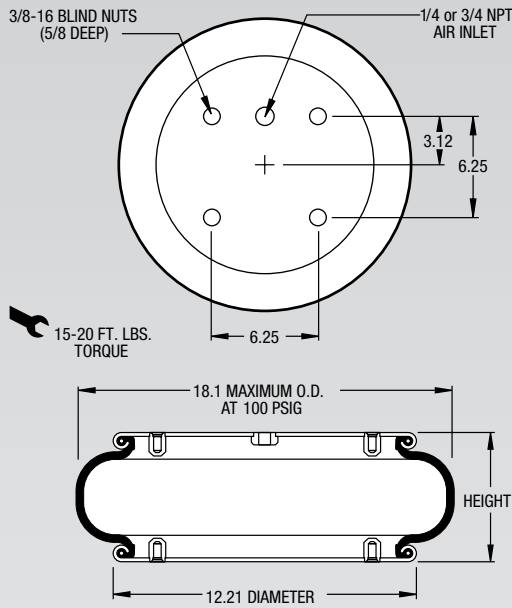


|                       | Description         | Assembly Order No. |
|-----------------------|---------------------|--------------------|
| Style 153-2           | Blind nuts, 1/4 NPT | W01-358-8158       |
| Two Ply Bellows       | Blind nuts, 3/4 NPT | W01-358-8157       |
| Assembly weight ..... |                     | 17.1 lbs.          |



See page 12 for instructions on how to use chart.

| Dynamic Characteristics at 6.0 in. Design Height<br>(Required for Airmount isolator design only) |             |                        |                   |      |
|--|-------------|------------------------|-------------------|------|
| Volume @ 100 PSIG = 981 in <sup>3</sup>  |             |                        | Natural Frequency |      |
| Gage Pressure (PSIG)   | Load (lbs.) | Spring Rate (lbs./in.) | CPM               | HZ   |
| 40   | 4,564       | 2,202                  | 131               | 2.18 |
| 60   | 7,048       | 3,153                  | 126               | 2.10 |
| 80   | 9,682       | 4,031                  | 121               | 2.02 |
| 100  | 12,385      | 4,958                  | 119               | 1.98 |

| Force Table (Use for Airstroke™ actuator design) |                                      |              |          |          |          |           |
|--|--------------------------------------|--------------|----------|----------|----------|-----------|
| Assembly Height (in.)                            | Volume @ 100 PSIG (in <sup>3</sup> ) | Pounds Force |          |          |          |           |
|  |                                      | @20 PSIG     | @40 PSIG | @60 PSIG | @80 PSIG | @100 PSIG |
| 8.0  | 1,169                                | 425          | 1,260    | 2,566    | 4,038    | 5,636     |
| 7.0  | 1,094                                | 1,423        | 3,210    | 5,194    | 7,334    | 9,528     |
| 6.0  | 981                                  | 2,140        | 4,564    | 7,048    | 9,682    | 12,385    |
| 5.0  | 840                                  | 2,676        | 5,476    | 8,458    | 11,440   | 14,471    |
| 4.0  | 679                                  | 3,051        | 6,153    | 9,478    | 12,738   | 15,965    |
| 3.0  | 510                                  | 3,219        | 6,609    | 10,069   | 13,550   | 17,218    |